



MINIATURE LOW CURRENT FUSES 0201 SERIES



[Click Here to View the 0201 Series Datasheet](#)

BASIC OVERVIEW

The Accu-Guard® series of fuses is based on thin-film techniques. This technology provides a level of control on the component electrical and physical characteristics that is generally not possible with standard fuse technologies. This has allowed KYOCERA AVX to offer a series of devices which are designed for modern surface mount circuit boards which require protection.

APPLICATIONS

- Hazardous Environment (ATEX) Equipment
- Rugged Radio
- Rugged Smart Phone
- Gas Distribution centers
- Computers
- Digital Cameras, Battery Packs
- Tablets
- LCD Screens
- Medical Instrumentation
- Cell Phones

GENERAL CHARACTERISTICS

- Fast Acting
- Accurate Current Rating
- Color Coded
- Taped and Reeled
- RoHS Compliant
- UL Approval: E143842

KEY SPECIFICATIONS

- Size: 0201
- Temperature Stability
- Fast Acting
- Post Fusing Resistance > 1MΩ
- High Reliability

TOP SELLING POINTS / CHARACTERISTICS

- Industry's Lowest Current Ratings: 28mA to 200mA



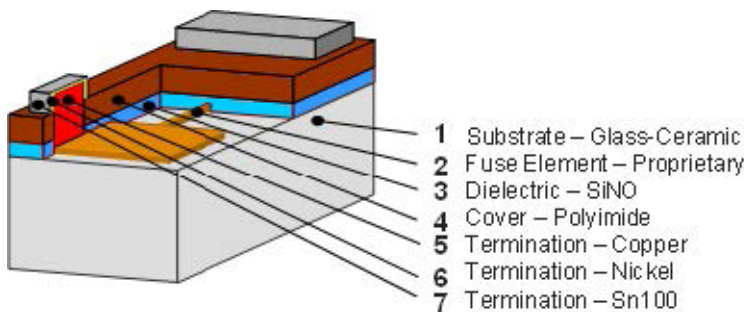


[Click Here to View the 0201 Series Datasheet](#)

CHARACTERISTICS

Part Number	Current Rating [A]	Color Code
F0201G0R02FNTR	0.028	Green
F0201G0R03FNTR	0.0375	Red
F0201G0R05FNTR	0.05	Blue
F0201G0R06FNTR	0.062	Yellow
F0201G0R07FNTR	0.075	Brown
F0201G0R10FNTR	0.100	Red
F0201G0R12FNTR	0.125	White
F0201G0R15FNTR	0.150	Green
F0201G0R20FNTR	0.200	Pink

KYOCERA AVX is the ONLY provider of low current fuses in 0201 below 150mA.



NORTH AMERICA

Mohammed Abu-Naim

RF Product Manager

TEL: +1 864 962 6115

Email:

mohammed.abu-naim@avx.com

EUROPE

Houda Rais

RF Product Manager

TEL: +06 383 787 759

Email:

houda.rais@kyocera-avx.com

ASIA

Dennis Hu

RF Marketing Manager

TEL: +86 159 8677 0907

Email:

dennis.hu@kyocera-avx.com