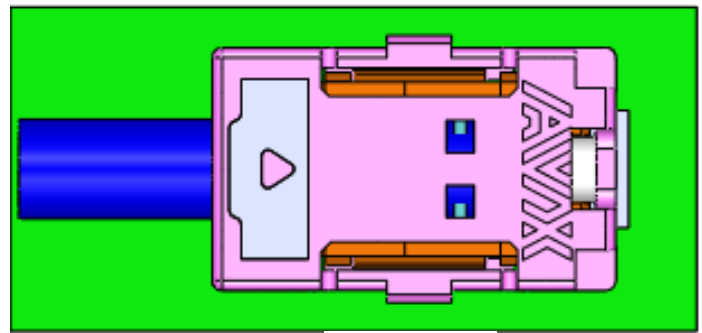
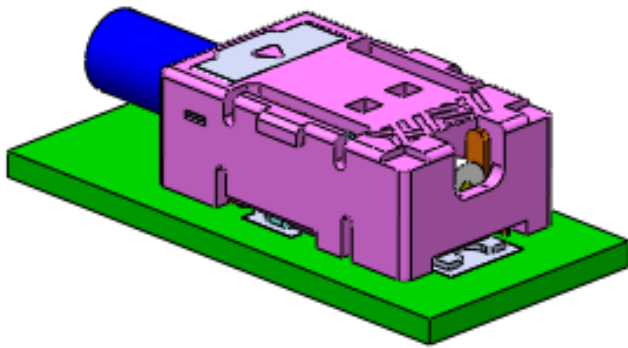
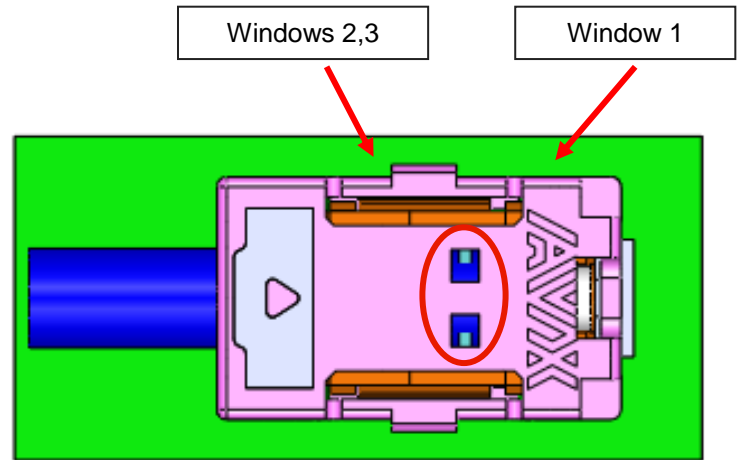
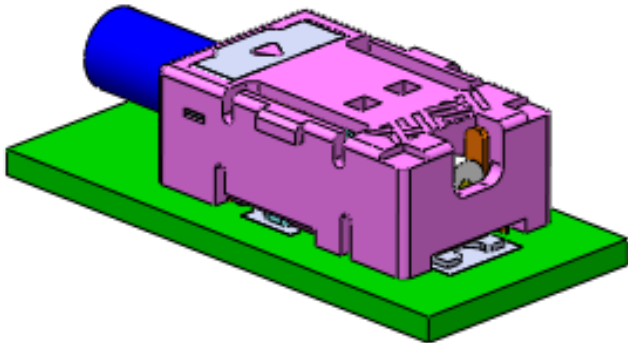


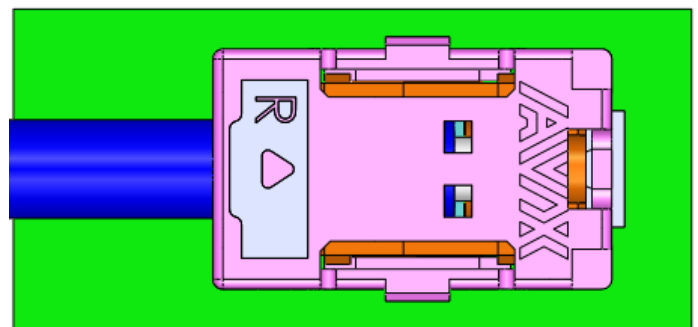
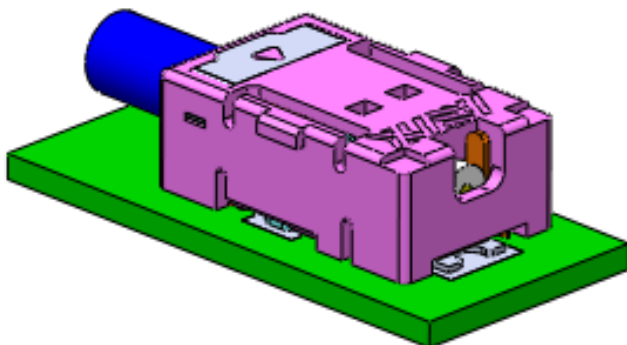
5.2 INSPECTION



(Fig.2)

Jacket not fully visible

Dielectric not visible



(Fig.3)

After cable insertion is completed, check that the dielectric is visible in window 1 and that the cable jacket is visible in windows 2 and 3. If they are all visible as shown in figures 1 and 2 the assembly is acceptable.

If the jacket is not fully visible or the dielectric is not visible as shown in figure 3 the assembly should be rejected.

