

IGBT Modules

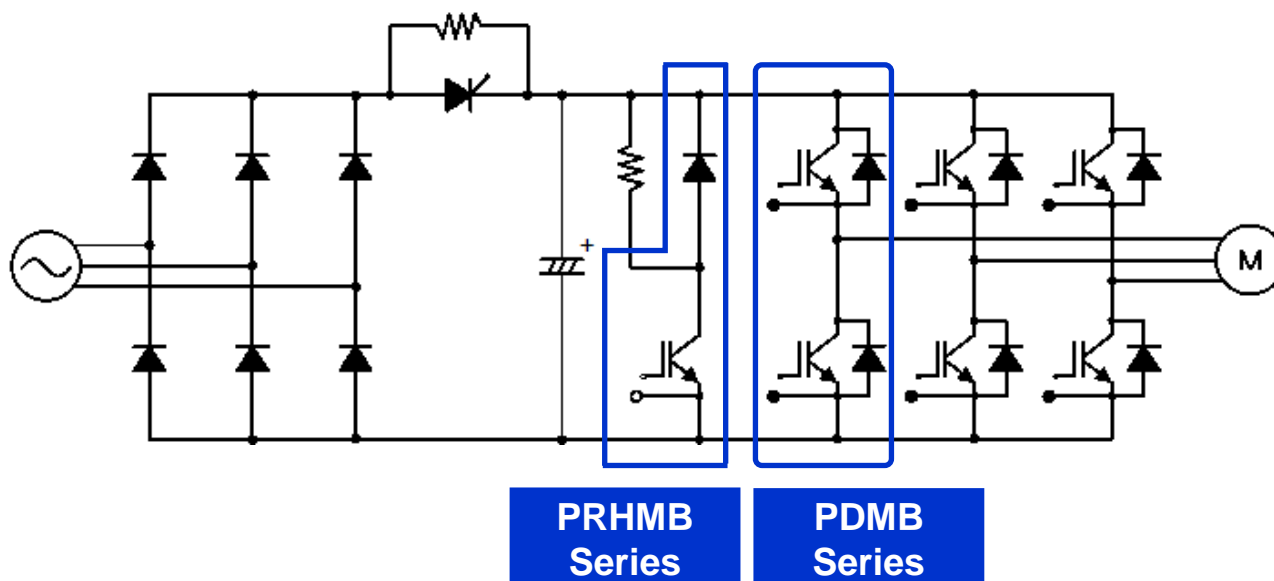


■ Features

- RoHS
- 30mm Height
- $T_{j\text{ MAX}} = 175^{\circ}\text{C}$

■ Typical Circuit

■ Motor Drive (General Inverter)



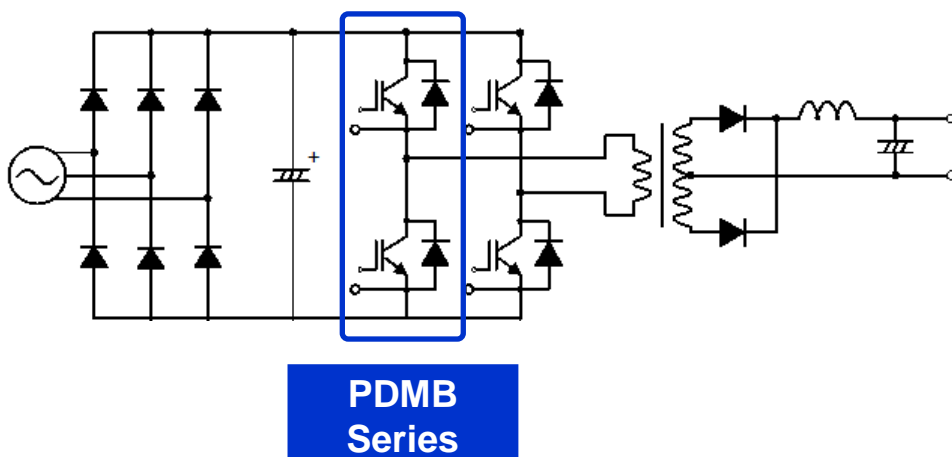
■ Applications

- General Inverter
- High Voltage Inverter
- Servo Driver
- Power supply
- UPS
- Welding Machine
- Elevator
- Commercial Air Conditioner

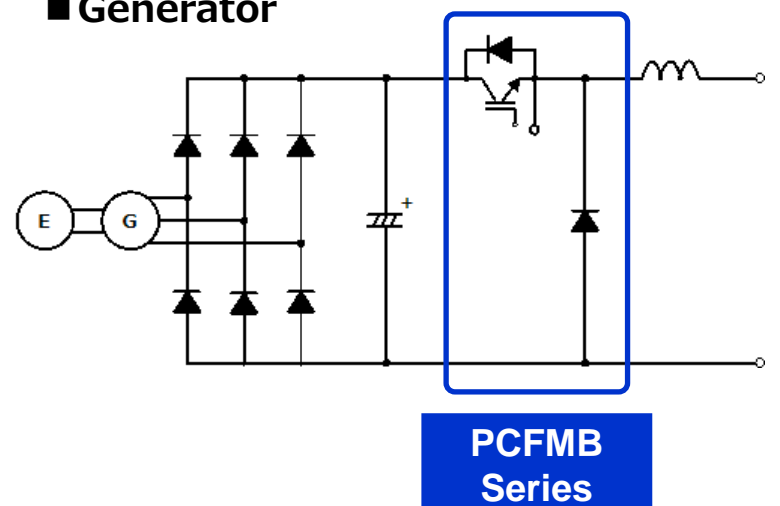
■ Specifications

- V_{CES} : 650/1200V
- I_{C} : 50~400A
- Package : 3 Packages

■ Power supply



■ Generator



Product Portfolio

Package	Size X,Y, Z [mm]	Circuit	Rating Current [A]						
			50	75	100	150	200	300	400
	94 × 35 × 30		650V						
	94 × 48 × 30		1200V				650V		
	108 × 62 × 30							1200V	

Connection (Series)

PDMB	PCFMB	PCHMB	PRFMB	PRHMB

MOQ : 8pcs ~
LT : 18 Weeks A.R.O ~

Performance

